

PEH 536 105°C

RoHS
Compliant

- Snap-In
- Ultra Long Life Grade
- PCB Mounting
- Low ESR and ESL
- High ripple current

APPLICATION

Typical applications for PEH 536 would be SMPS, drives, welding equipment, UPS and other power electronic applications where high current ratings and compact size are important.

BASIC DESIGN

PEH 536 is a Long Life electrolytic capacitor designed to offer high ripple current capability and low mounting cost. The low ESR is a result of very low resistive paper/electrolyte system.

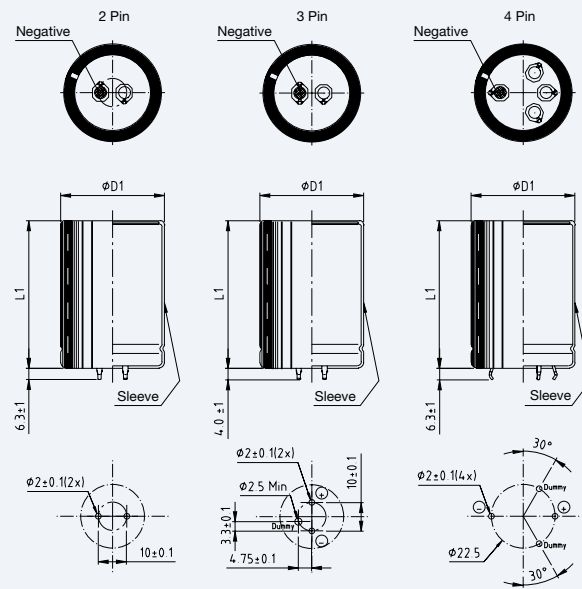
The low ESR together with the TDC thermal concept gives the PEH 536 a high ripple current capability.

SPECIFICATION

| | |
|---|---|
| Standards | IEC 60384-4 Long Life Grade 40/105/56, in accordance with CECC 30 301-809 |
| Capacitance range | 47-18000 μ F |
| Capacitance tolerance | -20 to +20% |
| Rated voltage | 35-450 VDC |
| Temperature range | -40 to +105°C |
| Leakage current, I_{RL} (μA) | $0.003 (\mu\text{A}) \times C_R (\mu\text{F}) \times U_R (\text{V})$ |
| Operational life time | 6000 hours at +105°C |
| Shelf life | 4 years at 0 Volt and +40°C |
| Diameter range | 22-40 mm |

Pin configuration

| | |
|----------------|-------------------------------------|
| Diameter range | 22-35 mm: 2-3 pins 40 mm: 4 pins |
|----------------|-------------------------------------|



Dimensions table PEH 536 (mm)

| D x L | Case code | D1 ±0.5 | L1 ±1.0 | Weight approx (g) |
|---------|-----------|---------|---------|-------------------|
| 22 x 30 | AC | 22.5 | 31 | 14 |
| 22 x 35 | AD | 22.5 | 36 | 15 |
| 22 x 40 | AE | 22.5 | 41 | 17 |
| 22 x 45 | AF | 22.5 | 46 | 19 |
| 22 x 50 | AG | 22.5 | 51 | 21 |
| 25 x 25 | BB | 25.5 | 26 | 19 |
| 25 x 30 | BC | 25.5 | 31 | 21 |
| 25 x 35 | BD | 25.5 | 36 | 24 |
| 25 x 40 | BE | 25.5 | 41 | 27 |
| 25 x 45 | BF | 25.5 | 46 | 30 |
| 25 x 50 | BG | 25.5 | 51 | 33 |
| 30 x 25 | CB | 30.5 | 26 | 24 |
| 30 x 30 | CC | 30.5 | 31 | 29 |
| 30 x 35 | CD | 30.5 | 36 | 34 |
| 30 x 40 | CE | 30.5 | 41 | 39 |
| 30 x 45 | CF | 30.5 | 46 | 45 |
| 30 x 50 | CG | 30.5 | 51 | 51 |
| 35 x 25 | DB | 35.5 | 26 | 32 |
| 35 x 30 | DC | 35.5 | 31 | 40 |
| 35 x 35 | DD | 35.5 | 36 | 48 |
| 35 x 40 | DE | 35.5 | 41 | 56 |
| 35 x 45 | DF | 35.5 | 46 | 64 |
| 35 x 50 | DG | 35.5 | 51 | 72 |
| 35 x 55 | DH | 35.5 | 56 | 85 |

| D x L | Case code | D1 ±0.5 | L1 ±1.0 | Weight approx (g) |
|----------|-----------|---------|---------|-------------------|
| 35 x 60 | DI | 35.5 | 61 | 88 |
| 40 x 60 | EI | 40.5 | 61 | 115 |
| 40 x 70 | EK | 40.5 | 71 | 135 |
| 40 x 80 | EM | 40.5 | 81 | 155 |
| 40 x 100 | EQ | 40.5 | 101 | 175 |

Pin Configuration

| Description | 2 pin | 2 pin | 3 pin | 4 pin | 4 pin |
|--------------|-------|-------|-------|-------|-------|
| Pin length | 6.3±1 | 4.0±1 | 4.0±1 | 6.3±1 | 4.0±1 |
| Code | 2 | 2S | 3 | 4 | 4S |
| DIA. mm -0+1 | | | | | |
| 22 | • | • | • | | |
| 25 | • | • | • | | |
| 30 | • | • | • | | |
| 35 | • | • | • | • | • |
| 40 | • | • | • | • | • |

ARTICLE TABLE PEH 536 (105°C)

| C_R | D x L | Case code | I_{RAC}^* 105°C 100 Hz A | I_{RAC}^* 40°C 20 kHz A | ESR* 20°C 100 Hz mΩ | ESR* 20°C 100 kHz mΩ | Article code | Pin configuration |
|-----------------------------------|---------|-----------|-------------------------------------|------------------------------------|------------------------------|-------------------------------|-----------------|-------------------|
| μF | mm | | | | | | | |
| 35 VDC (U_R) | | | | | | | | |
| 3900 | 22 x 35 | AD | 2.4 | 9.0 | 54 | 39 | PEH536JAD4390M2 | |
| 3900 | 25 x 30 | BC | 2.2 | 7.8 | 60 | 45 | PEH536JBC4390M2 | |
| 4700 | 22 x 40 | AE | 2.8 | 0.2 | 45 | 33 | PEH536JAE4470M2 | |
| 5600 | 25 x 35 | BD | 2.7 | 9.1 | 44 | 34 | PEH536JBD4560M2 | |
| 5600 | 30 x 30 | CC | 2.4 | 7.8 | 53 | 43 | PEH536JCC4560M2 | |
| 5600 | 35 x 25 | DB | 2.0 | 5.9 | 78 | 68 | PEH536JDB4560M2 | |
| 6800 | 25 x 40 | BE | 3.1 | 10.4 | 37 | 28 | PEH536JBE4680M2 | |
| 6800 | 30 x 35 | CD | 2.9 | 9.4 | 42 | 33 | PEH536JCD4680M2 | |
| 8200 | 25 x 45 | BF | 3.4 | 11.6 | 31 | 24 | PEH536JBF4820M2 | |
| 8200 | 30 x 35 | CD | 2.8 | 8.9 | 42 | 35 | PEH536JCD4820M2 | |
| 8200 | 35 x 30 | DC | 3.7 | 12.6 | 30 | 23 | PEH536JDC4820M2 | |
| 10000 | 25 x 50 | BG | 3.7 | 12.3 | 27 | 21 | PEH536JBG5100M2 | |
| 10000 | 30 x 40 | CE | 4.6 | 16.6 | 22 | 16 | PEH536JCE5100M2 | |
| 12000 | 30 x 45 | CF | 5.1 | 18.1 | 19 | 14 | PEH536JCF5120M2 | |
| 12000 | 35 x 35 | DD | 4.4 | 14.5 | 22 | 17 | PEH536JDD5120M2 | |
| 15000 | 35 x 40 | DE | 5.0 | 16.5 | 18 | 14 | PEH536JDE5150M2 | |
| 18000 | 35 x 50 | DG | 6.1 | 20.4 | 14 | 11 | PEH536JDG5180M2 | |
| 63 VDC (U_R) | | | | | | | | |
| 1800 | 22 x 35 | AD | 1.9 | 7.3 | 100 | 74 | PEH536MAD4180M2 | |
| 1800 | 25 x 30 | BC | 2.0 | 8.2 | 97 | 68 | PEH536MBC4180M2 | |
| 1800 | 30 x 25 | CB | 2.0 | 7.8 | 100 | 72 | PEH536MCB4180M2 | |
| 2200 | 25 x 35 | BD | 2.1 | 7.8 | 88 | 65 | PEH536MBD4220M2 | |
| 2200 | 30 x 30 | CC | 2.3 | 9.4 | 81 | 57 | PEH536MCC4220M2 | |
| 2200 | 35 x 25 | DB | 2.3 | 8.6 | 86 | 62 | PEH536MDB4220M2 | |
| 2700 | 22 x 50 | AG | 2.5 | 9.8 | 68 | 49 | PEH536MAG4270M2 | |
| 2700 | 25 x 40 | BE | 2.4 | 8.9 | 73 | 53 | PEH536MBE4270M2 | |
| 2700 | 30 x 35 | CD | 2.7 | 10.9 | 66 | 46 | PEH536MCD4270M2 | |
| 3300 | 25 x 50 | BG | 2.8 | 10.7 | 58 | 43 | PEH536MBG4330M2 | |
| 3300 | 30 x 35 | CD | 2.9 | 11.5 | 55 | 40 | PEH536MCD4330M2 | |
| 3900 | 30 x 40 | CE | 3.3 | 13.0 | 47 | 34 | PEH536MCE4390M2 | |
| 3900 | 35 x 30 | DC | 3.0 | 10.9 | 52 | 38 | PEH536MDC4390M2 | |
| 4700 | 30 x 45 | CF | 3.7 | 14.6 | 39 | 28 | PEH536MCF4470M2 | |
| 4700 | 35 x 35 | DD | 3.5 | 12.9 | 42 | 31 | PEH536MDD4470M2 | |
| 6800 | 35 x 45 | DF | 4.5 | 16.4 | 30 | 22 | PEH536MDF4680M2 | |
| 8200 | 35 x 50 | DG | 5.0 | 17.9 | 25 | 19 | PEH536MDG4820M2 | |
| 100 VDC (U_R) | | | | | | | | |
| 560 | 22 x 30 | AC | 1.1 | 4.3 | 320 | 240 | PEH536PAC3560M2 | |
| 560 | 25 x 25 | BB | 1.1 | 4.0 | 330 | 250 | PEH536PBB3560M2 | |
| 680 | 22 x 35 | AD | 1.2 | 5.0 | 260 | 190 | PEH536PAD3680M2 | |
| 680 | 25 x 30 | BC | 1.2 | 4.8 | 270 | 200 | PEH536PBC3680M2 | |
| 820 | 22 x 40 | AE | 1.4 | 5.6 | 220 | 160 | PEH536PAE3820M2 | |
| 820 | 25 x 30 | BC | 1.3 | 5.1 | 230 | 170 | PEH536PBC3820M2 | |
| 820 | 30 x 25 | CB | 1.4 | 5.6 | 220 | 160 | PEH536PCB3820M2 | |
| 1000 | 25 x 35 | BD | 1.6 | 6.0 | 180 | 140 | PEH536PBD4100M2 | |
| 1000 | 30 x 30 | CC | 1.7 | 6.6 | 180 | 130 | PEH536PCC4100M2 | |
| 1200 | 25 x 40 | BE | 1.8 | 6.8 | 150 | 120 | PEH536PBE4120M2 | |
| 1200 | 30 x 35 | CD | 1.9 | 7.7 | 150 | 110 | PEH536PCD4120M2 | |
| 1500 | 25 x 50 | BG | 2.1 | 8.1 | 120 | 92 | PEH536PBG4150M2 | |
| 1500 | 30 x 40 | CE | 2.2 | 8.9 | 120 | 88 | PEH536PCE4150M2 | |
| 2200 | 30 x 50 | CG | 2.8 | 11.2 | 81 | 61 | PEH536PCG4220M2 | |
| 2200 | 35 x 40 | DE | 2.8 | 10.9 | 83 | 62 | PEH536PDE4220M2 | |
| 2700 | 35 x 45 | DF | 3.2 | 12.3 | 68 | 51 | PEH536PDF4270M2 | |
| 3300 | 35 x 50 | DG | 3.6 | 13.8 | 56 | 43 | PEH536PDG4330M2 | |
| 4700 | 35 x 55 | DH | 4.3 | 15.8 | 42 | 32 | PEH536PDH4470M2 | |

* Maximum values

ARTICLE TABLE PEH 536 (105°C)

| C_R | D x L | Case code | I_{RAC}^* 105°C 100 Hz A | I_{RAC}^* 40°C 20 kHz A | ESR* 20°C 100 Hz mΩ | ESR* 20°C 100 kHz mΩ | Article code | Pin configuration |
|-----------------------------------|---------|-----------|-------------------------------------|------------------------------------|------------------------------|-------------------------------|-----------------|-------------------|
| μF | mm | | | | | | | |
| 200 VDC (U_R) | | | | | | | | |
| 220 | 22 x 30 | AC | 0.71 | 5.4 | 550 | 270 | PEH536RAC3220M2 | |
| 270 | 25 x 30 | BC | 0.82 | 5.9 | 460 | 220 | PEH536RBC3270M2 | |
| 330 | 22 x 40 | AE | 0.93 | 7.2 | 370 | 180 | PEH536RAE3330M2 | |
| 330 | 25 x 35 | BD | 0.95 | 6.9 | 370 | 190 | PEH536RBD3330M2 | |
| 470 | 22 x 50 | AG | 1.2 | 8.8 | 260 | 130 | PEH536RAG3470M2 | |
| 470 | 25 x 40 | BE | 1.2 | 8.1 | 270 | 130 | PEH536RBE3470M2 | |
| 560 | 25 x 45 | BF | 1.3 | 9.1 | 220 | 110 | PEH536RBF3560M2 | |
| 560 | 30 x 35 | CD | 1.4 | 10.4 | 220 | 110 | PEH536RCD3560M2 | |
| 680 | 25 x 50 | BG | 1.5 | 10.0 | 180 | 93 | PEH536RBG3680M2 | |
| 680 | 30 x 40 | CE | 1.6 | 11.8 | 180 | 88 | PEH536RCE3680M2 | |
| 680 | 35 x 35 | DD | 1.6 | 11.5 | 180 | 90 | PEH536RDD3680M2 | |
| 820 | 30 x 45 | CF | 1.8 | 13.3 | 150 | 73 | PEH536RCF3820M2 | |
| 820 | 35 x 35 | DD | 1.8 | 11.8 | 150 | 77 | PEH536RDD3820M2 | |
| 1000 | 30 x 50 | CG | 2.0 | 14.8 | 120 | 61 | PEH536RCG4100M2 | |
| 1000 | 35 x 40 | DE | 2.0 | 13.5 | 130 | 63 | PEH536RDE4100M2 | |
| 1200 | 35 x 50 | DG | 2.3 | 16.2 | 100 | 52 | PEH536RDG4120M2 | |
| 250 VDC (U_R) | | | | | | | | |
| 150 | 22 x 30 | AC | 0.62 | 5.3 | 660 | 280 | PEH536SAC3150M2 | |
| 220 | 22 x 40 | AE | 0.81 | 7.0 | 450 | 190 | PEH536SAE3220M2 | |
| 220 | 25 x 30 | BC | 0.79 | 6.0 | 460 | 200 | PEH536SBC3220M2 | |
| 270 | 25 x 35 | BD | 0.91 | 7.1 | 370 | 160 | PEH536SBD3270M2 | |
| 330 | 25 x 40 | BE | 1.0 | 8.1 | 300 | 130 | PEH536SBE3330M2 | |
| 330 | 30 x 30 | CC | 1.1 | 8.8 | 300 | 130 | PEH536SCC3330M2 | |
| 390 | 25 x 45 | BF | 1.2 | 9.0 | 260 | 110 | PEH536SBF3390M2 | |
| 470 | 25 x 50 | BG | 1.3 | 9.9 | 210 | 96 | PEH536SBG3470M2 | |
| 470 | 30 x 40 | CE | 1.4 | 11.7 | 210 | 91 | PEH536SCE3470M2 | |
| 560 | 30 x 45 | CF | 1.6 | 13.1 | 180 | 76 | PEH536SCF3560M2 | |
| 680 | 30 x 50 | CG | 1.8 | 14.5 | 150 | 63 | PEH536SCG3680M2 | |
| 680 | 35 x 40 | DE | 1.8 | 13.4 | 150 | 66 | PEH536SDE3680M2 | |
| 820 | 35 x 45 | DF | 2.0 | 15.0 | 120 | 55 | PEH536SDF3820M2 | |
| 1000 | 35 x 50 | DG | 2.3 | 16.5 | 100 | 46 | PEH536SDG4100M2 | |
| 350 VDC (U_R) | | | | | | | | |
| 100 | 22 x 30 | AC | 0.56 | 3.9 | 1000 | 600 | PEH536UAC3100M2 | |
| 100 | 25 x 25 | BB | 0.56 | 3.7 | 1100 | 620 | PEH536UBB3100M2 | |
| 120 | 22 x 35 | AD | 0.64 | 4.5 | 870 | 500 | PEH536UAD3120M2 | |
| 150 | 22 x 40 | AE | 0.74 | 5.2 | 700 | 400 | PEH536UAE3150M2 | |
| 150 | 25 x 30 | BC | 0.72 | 4.7 | 710 | 410 | PEH536UBC3150M2 | |
| 180 | 22 x 45 | AF | 0.84 | 5.8 | 580 | 340 | PEH536UAF3180M2 | |
| 220 | 22 x 50 | AG | 0.95 | 6.5 | 480 | 280 | PEH536UAG3220M2 | |
| 220 | 25 x 40 | BE | 0.95 | 6.2 | 480 | 280 | PEH536UBE3220M2 | |
| 270 | 25 x 50 | BG | 1.1 | 7.4 | 390 | 230 | PEH536UBG3270M2 | |
| 270 | 30 x 40 | CE | 1.2 | 8.1 | 390 | 220 | PEH536UCE3270M2 | |
| 330 | 30 x 45 | CF | 1.3 | 9.2 | 320 | 180 | PEH536UCF3330M2 | |
| 330 | 35 x 35 | DD | 1.3 | 8.7 | 320 | 190 | PEH536UDD3330M2 | |
| 470 | 35 x 40 | DE | 1.6 | 10.5 | 230 | 130 | PEH536UDE3470M2 | |
| 560 | 35 x 45 | DF | 1.8 | 11.8 | 190 | 110 | PEH536UDF3560M2 | |
| 560 | 35 x 50 | DG | 1.9 | 12.4 | 190 | 110 | PEH536UDG3560M2 | |
| 680 | 35 x 60 | DI | 2.2 | 14.3 | 160 | 91 | PEH536UDI3680M2 | |
| 1000 | 40 x 80 | EM | 2.9 | 18.5 | 110 | 63 | PEH536UEM4100M4 | |

* Maximum values

ARTICLE TABLE PEH 536 (105°C)

| C_R | D x L | Case code | I_{RAC}^* 105°C 100 Hz A | I_{RAC}^* 40°C 20 kHz A | ESR* 20°C 100 Hz mΩ | ESR* 20°C 100 kHz mΩ | Article code | Pin configuration |
|-----------------------------------|----------|-----------|-------------------------------------|------------------------------------|------------------------------|-------------------------------|-----------------|-------------------|
| μF | mm | | | | | | | |
| 400 VDC (U_R) | | | | | | | | |
| 68 | 22 x 30 | AC | 0.50 | 3.6 | 1300 | 710 | PEH536VAC2680M2 | |
| 68 | 25 x 25 | BB | 0.50 | 3.5 | 1300 | 720 | PEH536VBB2680M2 | |
| 82 | 22 x 35 | AD | 0.57 | 4.2 | 1100 | 590 | PEH536VAD2820M2 | |
| 100 | 22 x 35 | AD | 0.63 | 4.6 | 870 | 480 | PEH536VAD3100M2 | |
| 100 | 25 x 30 | BC | 0.64 | 4.4 | 880 | 490 | PEH536VBC3100M2 | |
| 120 | 22 x 40 | AE | 0.71 | 5.2 | 720 | 400 | PEH536VAE3120M2 | |
| 150 | 22 x 50 | AG | 0.83 | 6.1 | 580 | 320 | PEH536VAG3150M2 | |
| 150 | 25 x 40 | BE | 0.84 | 5.9 | 580 | 330 | PEH536VBE3150M2 | |
| 150 | 30 x 30 | CC | 0.86 | 6.2 | 580 | 320 | PEH536VCC3150M2 | |
| 180 | 30 x 35 | CD | 0.98 | 7.1 | 480 | 270 | PEH536VCD3180M2 | |
| 180 | 35 x 30 | DC | 1.0 | 7.1 | 480 | 270 | PEH536VDC3180M2 | |
| 220 | 25 x 50 | BG | 1.1 | 7.4 | 400 | 220 | PEH536VBG3220M2 | |
| 220 | 30 x 40 | CE | 1.1 | 8.2 | 390 | 220 | PEH536VCE3220M2 | |
| 270 | 30 x 45 | CF | 1.3 | 9.3 | 320 | 180 | PEH536VCF3270M2 | |
| 330 | 30 x 50 | CG | 1.5 | 10.5 | 260 | 150 | PEH536VCG3330M2 | |
| 330 | 35 x 40 | DE | 1.5 | 10.1 | 270 | 150 | PEH536VDE3330M2 | |
| 390 | 35 x 45 | DF | 1.7 | 11.3 | 230 | 130 | PEH536VDF3390M2 | |
| 470 | 35 x 50 | DG | 1.9 | 12.6 | 190 | 110 | PEH536VDG3470M2 | |
| 560 | 35 x 55 | DH | 2.1 | 13.9 | 160 | 89 | PEH536VDH3560M2 | |
| 680 | 40 x 60 | EI | 2.5 | 15.9 | 130 | 74 | PEH536VEI3680M4 | |
| 1000 | 40 x 80 | EM | 3.1 | 19.7 | 90 | 51 | PEH536VEM4100M4 | |
| 1500 | 40 x 100 | EQ | 3.9 | 22.9 | 61 | 35 | PEH536VEQ4150M4 | |
| 450 VDC (U_R) | | | | | | | | |
| 47 | 22 x 30 | AC | 0.44 | 3.4 | 1500 | 840 | PEH536YAC2470M2 | |
| 68 | 22 x 40 | AE | 0.57 | 4.4 | 1100 | 580 | PEH536YAE2680M2 | |
| 68 | 25 x 30 | BC | 0.57 | 4.1 | 1100 | 580 | PEH536YBC2680M2 | |
| 100 | 22 x 45 | AF | 0.72 | 5.4 | 720 | 390 | PEH536YAF3100M2 | |
| 100 | 25 x 35 | BD | 0.72 | 5.2 | 730 | 400 | PEH536YBD3100M2 | |
| 120 | 22 x 50 | AG | 0.81 | 6.0 | 600 | 330 | PEH536YAG3120M2 | |
| 150 | 25 x 45 | BF | 0.94 | 6.7 | 490 | 270 | PEH536YBF3150M2 | |
| 150 | 30 x 35 | CD | 0.97 | 7.2 | 480 | 260 | PEH536YCD3150M2 | |
| 180 | 30 x 40 | CE | 1.1 | 8.2 | 400 | 220 | PEH536YCE3180M2 | |
| 220 | 30 x 45 | CF | 1.3 | 9.3 | 330 | 180 | PEH536YCF3220M2 | |
| 220 | 35 x 40 | DE | 1.3 | 9.4 | 330 | 180 | PEH536YDE3220M2 | |
| 270 | 30 x 50 | CG | 1.4 | 10.4 | 270 | 150 | PEH536YCG3270M2 | |
| 270 | 35 x 45 | DF | 1.5 | 10.7 | 270 | 150 | PEH536YDF3270M2 | |
| 330 | 35 x 50 | DG | 1.7 | 11.9 | 220 | 120 | PEH536YDG3330M2 | |
| 390 | 35 x 55 | DH | 1.9 | 13.2 | 190 | 100 | PEH536YDH3390M2 | |
| 470 | 35 x 60 | DI | 2.1 | 14.5 | 160 | 86 | PEH536YDI3470M2 | |
| 560 | 40 x 60 | EI | 2.4 | 16.0 | 130 | 73 | PEH536YEI3560M4 | |
| 680 | 40 x 70 | EK | 2.7 | 17.9 | 110 | 61 | PEH536YEK3680M4 | |
| 1000 | 40 x 100 | EQ | 3.4 | 21.9 | 75 | 42 | PEH536YEQ4100M4 | |

* Maximum values.

MECHANICAL DATA

The capacitor may be mounted in any position. The PEH 536 is supplied with PVC insulation sleeve, thickness 0.3 mm. Voltage proof of the insulation sleeve = 2.5 kVDC (1 min). The minus pole is marked on the case surface.

ORDERING INFORMATION

For further ordering information please see page 8.
Pos 1-20

| | | | | | | | | | | | | | | | | | | | |
|---|---|---|---|---|---|---|---|---|----|----|----|----|----|----|----|----|----|----|----|
| P | E | H | 5 | 3 | 6 | J | A | B | 4 | 3 | 9 | 0 | M | 2 | | | | | |
| 1 | 2 | 3 | 4 | 5 | 6 | 7 | 8 | 9 | 10 | 11 | 12 | 13 | 14 | 15 | 16 | 17 | 18 | 19 | 20 |

Pos. 14: Capacitance tolerance M = -20 to +20%

Pos. 15: Pin configuration

Quantities and weights for PEH536

| CASE CODE | AC | AD | AE | AF | AG | BB | BC | BD | BE | BF | BG | CB | CC | CD | CE | CF | CG | DB | DC |
|-----------------------|-----|-----|-----|-----|-----|-----|-----|-----|-----|-----|-----|-----|-----|-----|-----|-----|-----|-----|-----|
| Weight approx (g) | 14 | 15 | 17 | 19 | 21 | 19 | 21 | 24 | 27 | 30 | 33 | 24 | 29 | 34 | 39 | 45 | 51 | 32 | 40 |
| Standard box quantity | 100 | 100 | 100 | 100 | 100 | 200 | 100 | 100 | 100 | 100 | 100 | 200 | 100 | 100 | 100 | 100 | 100 | 200 | 100 |

Quantities and weights for PEH536

| CASE CODE | DD | DE | DF | DG | DH | DI | EI | EK | EM | EQ |
|-----------------------|-----|-----|-----|-----|-----|-----|-----|-----|-----|-----|
| Weight approx (g) | 48 | 56 | 64 | 72 | 85 | 88 | 115 | 135 | 155 | 175 |
| Standard box quantity | 100 | 100 | 100 | 100 | 100 | 100 | 25 | 25 | 25 | 25 |

TYPICAL DATA PEH 536

Fig. 1

$C_T = C(f=100 \text{ Hz}, T_h) / C(f=100 \text{ Hz}, T_h = 20^\circ\text{C})$ vs T_h

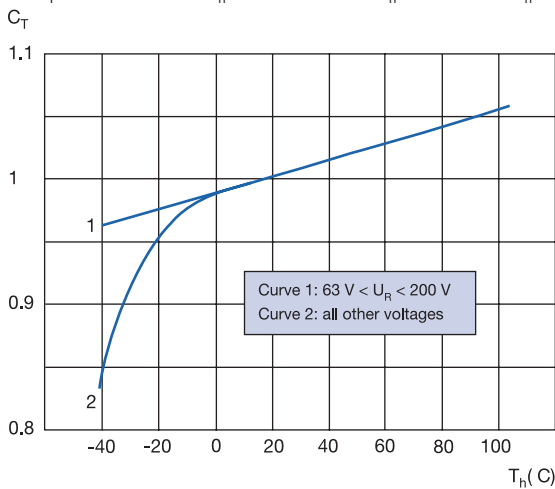


Fig. 4

$k_f = \text{ESR}(f, T_h = 20^\circ\text{C}) / \text{ESR}(f = 100 \text{ Hz}, T_h = 20^\circ\text{C})$ vs f

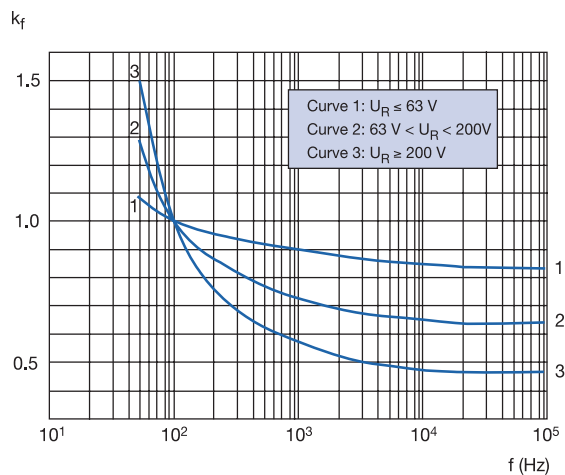


Fig. 2

$K_T = k_T = \text{ESR}(f, T_h) / \text{ESR}(f, T_h = 20^\circ\text{C})$ vs $T_h, U_R < 200 \text{ V}$

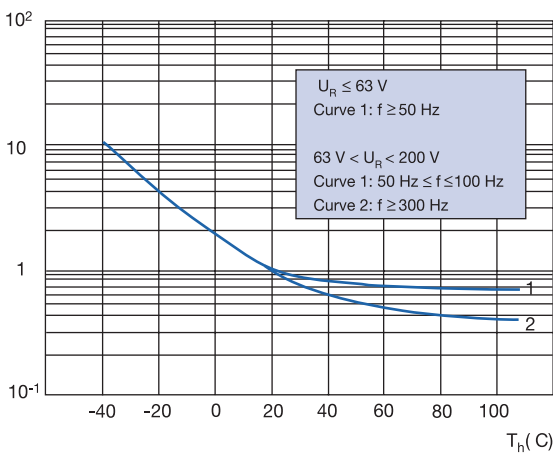
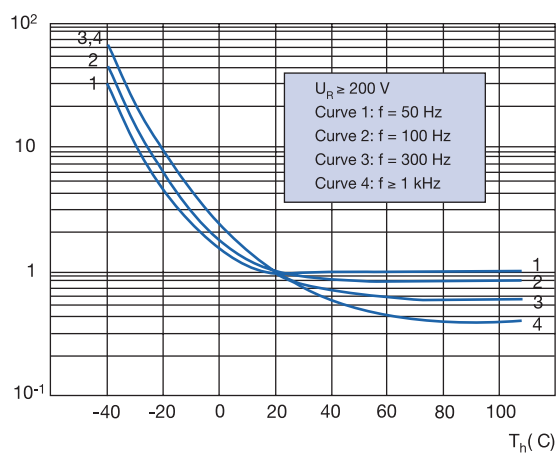


Fig. 5

$K_T = k_T = \text{ESR}(f, T_h) / \text{ESR}(f, T_h = 20^\circ\text{C})$ vs $T_h, U_R \geq 200 \text{ V}$



THERMAL RESISTANCE FOR DIFFERENT CASE SIZES, AS A FUNCTION OF CASE AIR SPEED V

At ambient temperature $T_a = 40^\circ\text{C}$

| Case | | Air speed v | | | | | | | | | | | |
|----------|----|--------------------|----------|--------------------|----------|--------------------|----------|--------------------|----------|--------------------|----------|--------------------|----------|
| D x L | | v=0,5m/s | | v=1,0m/s | | v=2,0m/s | | v=3,0m/s | | v=4,0m/s | | v=5,0m/s | |
| mm | | R_{thca} | R_{th} | R_{thca} | R_{th} | R_{thca} | R_{th} | R_{thca} | R_{th} | R_{thca} | R_{th} | R_{thca} | R_{th} |
| | | $^\circ\text{C/W}$ | | $^\circ\text{C/W}$ | | $^\circ\text{C/W}$ | | $^\circ\text{C/W}$ | | $^\circ\text{C/W}$ | | $^\circ\text{C/W}$ | |
| 22 x 25 | AB | 24.3 | 25.1 | 19.1 | 20.0 | 14.8 | 15.7 | 13.2 | 14.1 | 11.4 | 12.3 | 10.3 | 11.1 |
| 22 x 30 | AC | 21.3 | 22.5 | 16.8 | 18.0 | 13.2 | 14.4 | 11.7 | 12.9 | 10.2 | 11.4 | 9.2 | 10.4 |
| 22 x 35 | AD | 19.1 | 20.5 | 15.1 | 16.6 | 11.9 | 13.4 | 10.7 | 12.1 | 9.4 | 10.8 | 8.5 | 9.9 |
| 22 x 40 | AE | 17.4 | 19.0 | 13.9 | 15.5 | 11.0 | 12.7 | 9.9 | 11.5 | 8.7 | 10.4 | 7.9 | 9.5 |
| 22 x 45 | AF | 16.1 | 17.6 | 12.9 | 14.4 | 10.4 | 11.8 | 9.3 | 10.8 | 8.3 | 9.7 | 7.5 | 9.0 |
| 22 x 50 | AG | 15.1 | 16.8 | 12.2 | 14.0 | 9.8 | 11.6 | 8.9 | 10.6 | 7.9 | 9.7 | 7.2 | 9.0 |
| 25 x 25 | BB | 21.9 | 22.8 | 17.2 | 18.1 | 13.4 | 14.3 | 11.8 | 12.6 | 10.2 | 11.1 | 9.2 | 10.0 |
| 25 x 30 | BC | 19.3 | 20.2 | 15.3 | 16.1 | 12.0 | 12.8 | 10.5 | 11.3 | 9.2 | 10.0 | 8.2 | 9.1 |
| 25 x 35 | BD | 17.2 | 18.2 | 13.7 | 14.7 | 10.8 | 11.8 | 9.6 | 10.6 | 8.4 | 9.4 | 7.6 | 8.6 |
| 25 x 40 | BE | 15.8 | 16.9 | 12.6 | 13.7 | 10.0 | 11.2 | 8.9 | 10.0 | 7.8 | 8.9 | 7.1 | 8.2 |
| 25 x 45 | BF | 14.7 | 16.2 | 11.8 | 13.3 | 9.4 | 10.9 | 8.4 | 9.9 | 7.4 | 8.9 | 6.8 | 8.3 |
| 25 x 50 | BG | 13.7 | 15.2 | 11.1 | 12.6 | 8.9 | 10.5 | 8.0 | 9.5 | 7.1 | 8.6 | 6.5 | 8.0 |
| 30 x 25 | CB | 18.9 | 19.5 | 14.9 | 15.5 | 11.7 | 12.3 | 10.0 | 10.6 | 8.7 | 9.3 | 7.8 | 8.4 |
| 30 x 30 | CC | 16.4 | 17.1 | 13.1 | 13.8 | 10.2 | 10.9 | 8.8 | 9.5 | 7.7 | 8.4 | 6.9 | 7.6 |
| 30 x 35 | CD | 14.8 | 15.6 | 11.8 | 12.6 | 9.3 | 10.1 | 8.0 | 8.9 | 7.0 | 7.9 | 6.3 | 7.2 |
| 30 x 40 | CE | 13.5 | 14.3 | 10.8 | 11.6 | 8.6 | 9.4 | 7.4 | 8.2 | 6.5 | 7.3 | 5.9 | 6.7 |
| 30 x 45 | CF | 12.5 | 13.3 | 10.0 | 10.9 | 8.0 | 8.9 | 7.0 | 7.8 | 6.2 | 7.0 | 5.6 | 6.5 |
| 30 x 50 | CG | 11.9 | 12.9 | 9.7 | 10.7 | 7.8 | 8.8 | 6.8 | 7.8 | 6.1 | 7.1 | 5.5 | 6.6 |
| 35 x 25 | DB | 16.5 | 17.0 | 13.1 | 13.6 | 10.5 | 11.0 | 8.6 | 9.1 | 7.5 | 8.0 | 6.7 | 7.2 |
| 35 x 30 | DC | 14.3 | 14.7 | 11.4 | 11.8 | 9.2 | 9.6 | 7.6 | 8.0 | 6.6 | 7.0 | 5.9 | 6.3 |
| 35 x 35 | DD | 12.9 | 13.4 | 10.3 | 10.8 | 8.3 | 8.8 | 6.9 | 7.4 | 6.0 | 6.5 | 5.4 | 5.9 |
| 35 x 40 | DE | 11.8 | 12.5 | 9.5 | 10.1 | 7.7 | 8.3 | 6.4 | 7.1 | 5.6 | 6.3 | 5.1 | 5.7 |
| 35 x 45 | DF | 10.9 | 11.6 | 8.8 | 9.5 | 7.1 | 7.9 | 6.0 | 6.7 | 5.3 | 6.0 | 4.8 | 5.5 |
| 35 x 50 | DG | 10.5 | 11.3 | 8.5 | 9.3 | 7.0 | 7.8 | 5.9 | 6.7 | 5.3 | 6.0 | 4.8 | 5.6 |
| 35 x 55 | DH | 9.6 | 10.3 | 7.8 | 8.5 | 6.4 | 7.1 | 5.4 | 6.1 | 4.8 | 5.5 | 4.4 | 5.1 |
| 35 x 60 | DI | 9.1 | 10.2 | 7.4 | 8.5 | 6.2 | 7.2 | 5.2 | 6.3 | 4.7 | 5.7 | 4.3 | 5.3 |
| 40 x 60 | EI | 8.2 | 9.0 | 6.7 | 7.6 | 5.5 | 6.3 | 4.6 | 5.5 | 4.1 | 5.0 | 3.8 | 4.7 |
| 40 x 70 | EK | 7.5 | 8.5 | 6.2 | 7.2 | 5.1 | 6.1 | 4.4 | 5.4 | 3.9 | 4.9 | 3.6 | 4.6 |
| 40 x 80 | EM | 7.0 | 8.3 | 5.9 | 7.2 | 4.9 | 6.2 | 4.2 | 5.5 | 3.8 | 5.1 | 3.5 | 4.8 |
| 40 x 100 | EQ | 6.4 | 8.2 | 5.4 | 7.2 | 4.6 | 6.3 | 4.1 | 5.8 | 3.7 | 5.4 | 3.4 | 5.2 |

(R_{thca} = Thermal resistance between case and ambient)